



With thanks to the

## Royal Society for the Protection of Birds

Join the world's most exciting wildlife club for young people. Here's what you get when you join the Club.

- A great membership pack specific to your age, including posters, stickers, a logbook with activities, a membership card and a certificate.
- your own colourful magazine, six times a year
- the chance to enter competitions and take part in activities and wildlife holidays
- FREE entry to more than 100 RSPB nature reserves
- PLUS A choice of free gift. You can choose either a [wildlife stationery set](#) or your own [wildlife organiser](#) when you join.

9TH HUDDERSFIELD  
(CROSLAND HILL METHODIST)  
SCOUT GROUP

Meetings

**Beaver Scouts** (6 to 8 years old)  
Tuesdays, 6:30 pm to 7:30 pm  
Leaders Helen & Joanne

**Cub Scouts** (8 to 10½)  
Wednesdays, 6:30 pm to 8:00 pm  
Dave & Andrew

**Scouts** (10½ to 14)  
Fridays, 7:15 pm to 9:15 pm  
Leaders Dave & Chris,

**Explorer Scouts** (14 to 18)  
Fridays, 7:30 pm to 9:30 pm  
Leaders - Vacancy

[DoE Co-ordinator Diane]

**Group Supporters' Team** (Adults)  
Monthly

For more information:

E-mail: [membership@rspb.org.uk](mailto:membership@rspb.org.uk)

Telephone: 01767 680551

Contact Group Scout Leader

David A Calverley

[9thHuddersfield@PhotoLens.co.uk](mailto:9thHuddersfield@PhotoLens.co.uk)



## Recycled Bird Feeder Stuff You Need



Plastic drinks bottles, yoghurt pots or milk cartons (make sure they're clean), wire or string, bird seed, scissors.

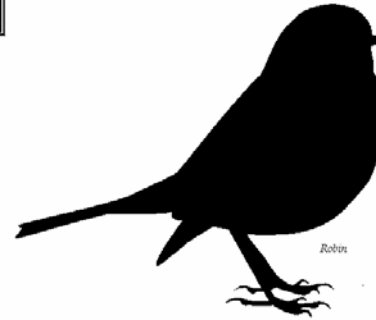
## Important notes

This will require adult help with cutting.  
Be aware of nut allergies.

Cut a hole in the side large enough to allow a free flow of seeds, but in such a way that it won't all fall out on the ground in the slightest puff of wind, and won't get wet if it rains.



Make a few small holes in the bottom of your feeder to allow any rainwater to drain away.



*Robin*



*House sparrow*



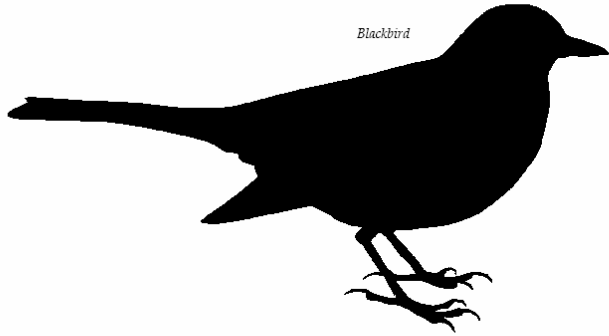
*Blue tit*



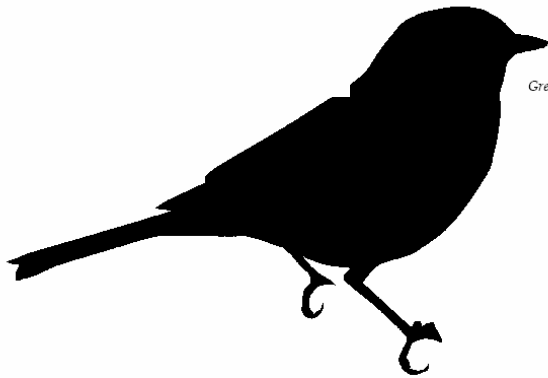
*Trevay owl*



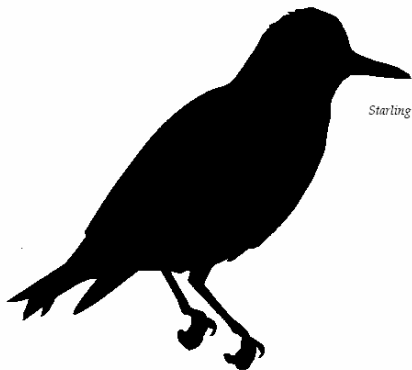
Blackbird



Great tit



Starling



Hang it with wire, or even strong string from a tree or your washing line.

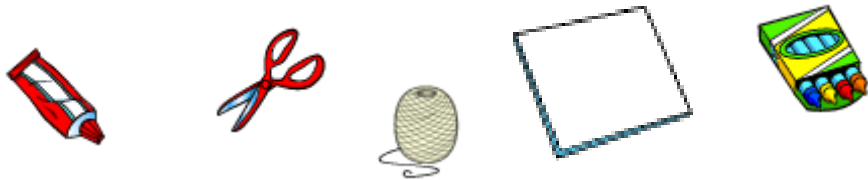


If your feeder starts to wear out or the food in it goes mouldy, recycle it and make another one! Remember to keep your feed-

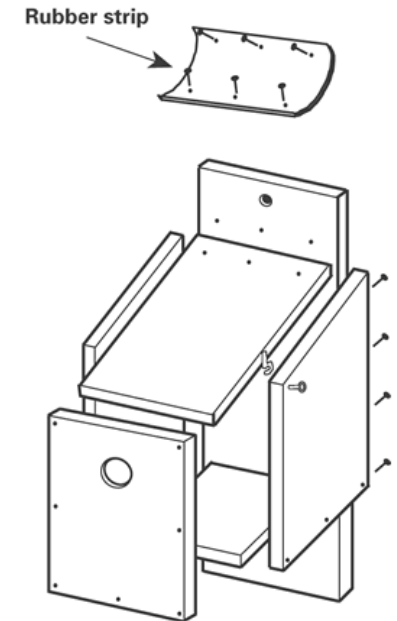
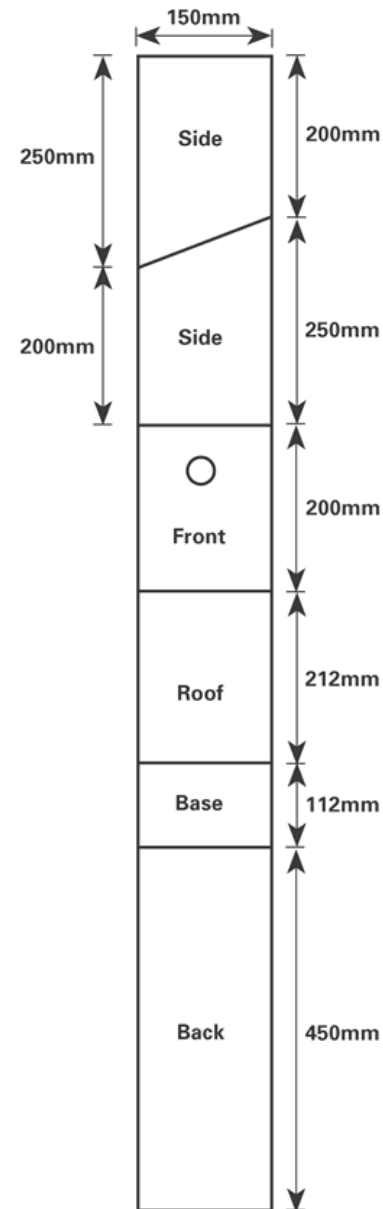
ers well stocked, especially in winter. Birds come to rely on them and will go hungry if you forget.

# Make A String Bird

## Stuff You Need



Books with pictures of birds, bird silhouettes (print out the downloadable sheets), card, paper, scissors, glue, string (hard, but not too thick), wax crayons



If you remove the top half of the front panel, the same type of box could attract robins, pied wagtails or wrens to nest. Spotted flycatchers prefer an even shallower, open-fronted box.

Softwood boxes (such as pine) can be treated with water-based wood preservatives, such as Fenceguard or Sadolin: apply only to the outside of the box, and not around the entrance hole. Whatever you use, make sure the box dries and airs thoroughly before putting it up.

**PLEASE DO NOT use chemicals like wood preservatives without an adult - they can be dangerous.**

Choose a bird silhouette and remember the name of the bird. Cut out the silhouette.



Glue the silhouette on to the card and then cut it out. It is easier to cut around the legs as if the two were one.

Cover with glue, and begin to lay on the string in the chosen directions.





Make sure that the string entirely covers the black area, with the strings closely touching. Separate the legs at this point. Allow to dry.

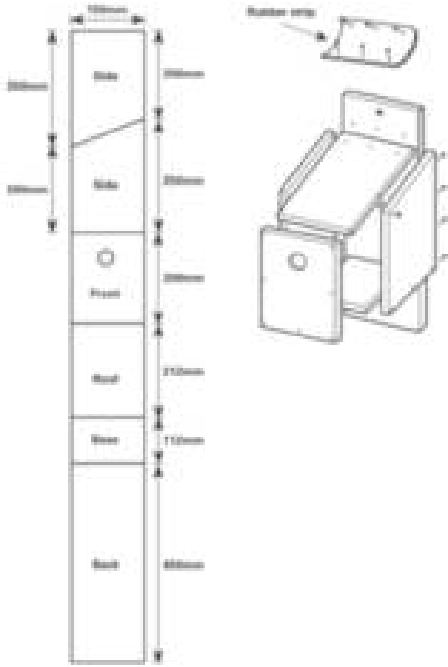
When the glue is dry, practise taking rubbings from the string bird by placing paper over the bird and rubbing hard with the side of a wax crayon. Practice is needed to keep the paper in position, and to find out how hard to press with the crayon.



3. Use galvanised nails or screws. The inside front surface should be rough - this will help the young birds to clamber up. A drainage hole in the base will also help to stop the box getting damp inside.
4. Hinge the lid with a strip of leather or rubber (an old piece of bicycle inner tube would do). Do not nail the lid down (because you will need to clean out the box in the autumn). Instead, use a catch to keep it closed.
5. The entrance hole size depends on the type of bird you want to attract:
  - 25 mm for coal tits, marsh tits and blue tits
  - 28 mm for great tits and tree sparrows
  - 32 mm for nuthatches and house sparrows
 A starling box needs to be 25-30% larger with an entrance 45 mm across



## Build A Nestbox



If you'd like to help the birds in your garden, why not have a go at making your own nestbox?

**Please ASK AN ADULT TO HELP.** You may need to use tools that could hurt you.

1. Natural nest holes don't come in 'standard' sizes, so please use the following sizes as a guide. Use a plank about 150 mm wide and 15 mm thick. Use the diagram to help you.
2. The inside of the box must be at least 100 mm square and the bottom of the entrance hole must be at least 125 mm from the floor. If it is less, young birds might be scooped out by a cat.

Decide on a format for the final piece.



# Speedy Bird Cake

## Stuff You Need



Good quality bird seed; raisins; peanuts; grated cheese; suet or lard; yoghurt

### Important notes

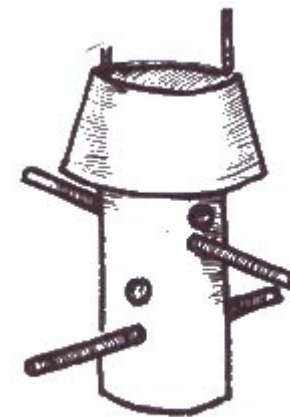
Not suitable for children with nut allergies. Note that bird seed, including peanuts bought for birds, is not suitable for human consumption.

apart. Thread the cord through these and tie it off. This makes a lid for the feeder that slides up and down.



5. Put some stones in the bottom of the feeder then fill it with bird seed and bread-crumbs. Either hang it in your garden or near your home so that you can look out for the birds.

\* Remember to always wash your hands after you refill the bird feeder.





## Make your own bird feeder

### What you need

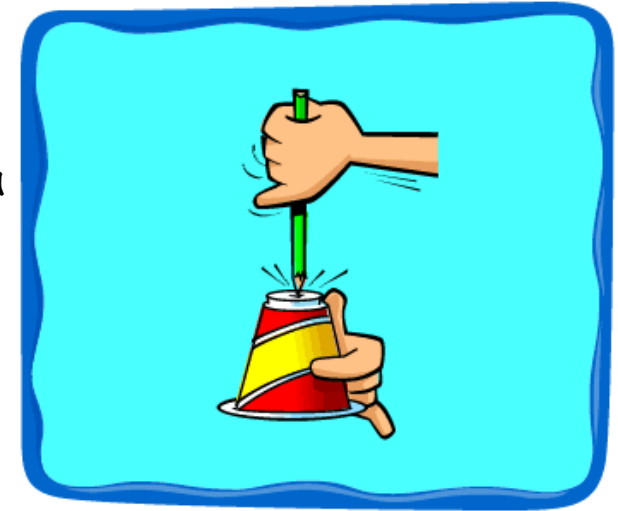
Bird seed	Knitting needle
Bread crumbs	Margarine tub
Washing up bottle	Piece of cord about 50cm long
Scissors	2 long pencils

### How to make it

1. Mix together some bird seed and bread crumbs.
2. Cut the top off a clean washing up bottle and pierce two holes in the bottom and thread cord into the bottle (to hang it to a tree).
3. Cut four holes in the washing up bottle and push the pencils through. These will be the two perches. Cut four more holes above the perches, which the birds can feed through.
4. Make two holes in the margarine tub about 5cm



Carefully make a small hole in the bottom of a yoghurt pot. Thread string through the hole and tie a knot on the inside. Leave enough string so that you can tie the pot to a tree or your bird table.



Allow the lard to warm up to room temperature, but don't melt it. Then cut it up into small pieces and put it in the mixing bowl.

Add the other ingredients to the bowl and mix them together with your finger tips. Keep adding the seed/raisin/cheese mixture and squidding it until the fat holds it all together.

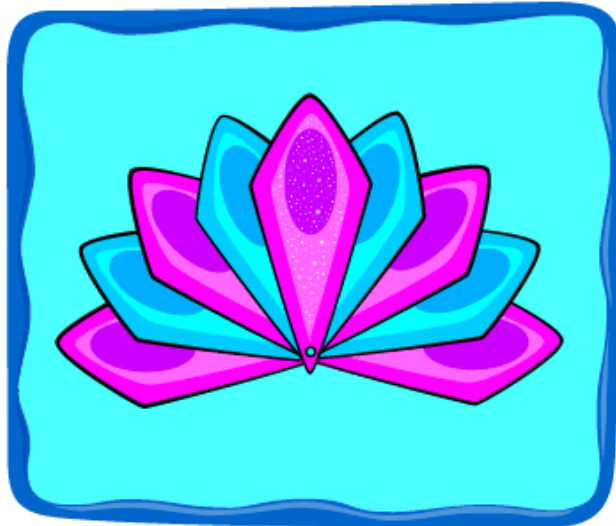


Fill your yoghurt pots with bird cake mixture and put them in the fridge to set for an hour or so.

Fan your fan -  
fantastic!



Colour your feathers with paint, sparkly collage, felt pen or whatever you have to hand.



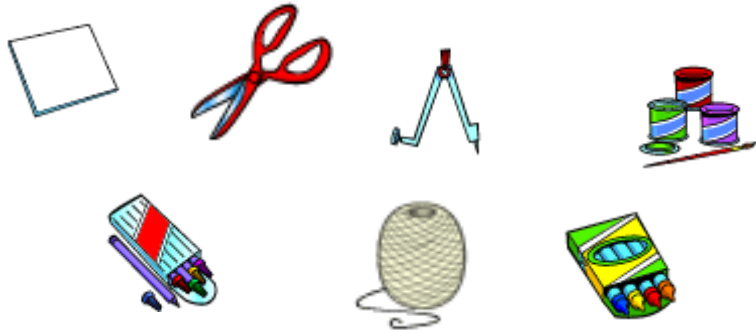
Join them all together with a paper fastener as shown.

Hang your speedy bird cakes from trees or your bird table. Watch for greenfinches, tits and possibly even great spotted woodpeckers.



# Food Chain Mobile

## Stuff You Need

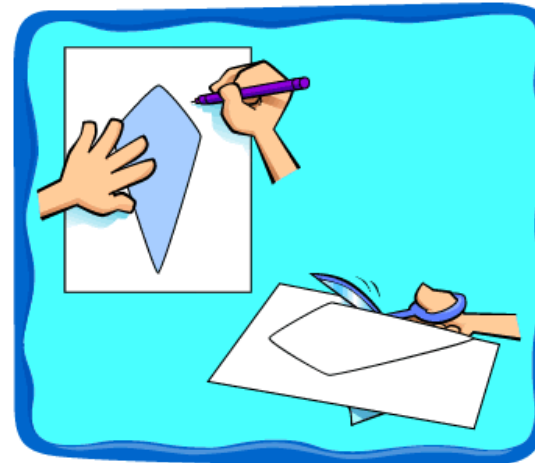
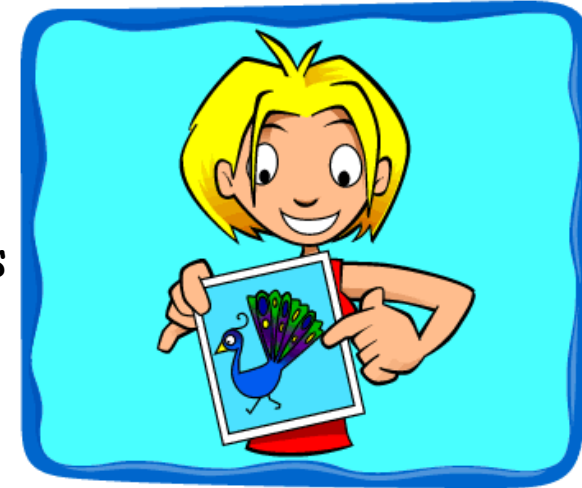


Paper, card, scissors, compasses, paints, crayons or felt-tips, string, pins.

### Important notes

Younger children may need to be given pre-cut shapes and help with threading the mobiles. If children have trouble using scissors to cut the shapes out, they will probably struggle with threading the mobiles. Try again when they are a bit older.

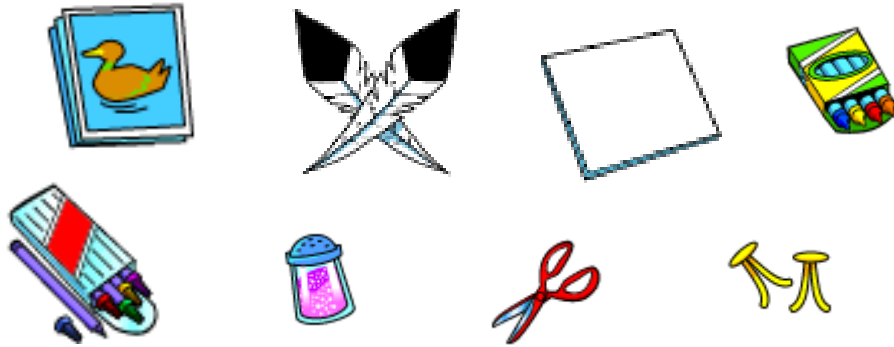
Look at some pictures of birds and/or some real feathers to give you ideas about the many ways you can decorate your paper 'feathers'. Each feather can be decorated the same way, or different every time.



Make yourself eight or more feather shapes using a template you have printed off.

# Make A Feather Fan

## Stuff You Need

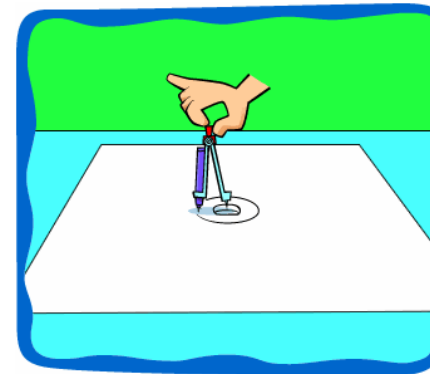


Pictures of birds; real feathers (optional); card; feather template (print out the downloadable sheet); crayons, pens and pencils; coloured card; paper eg wrapping paper; fabric, sequins, sparkles etc; scissors; paper fasteners.

### Important notes

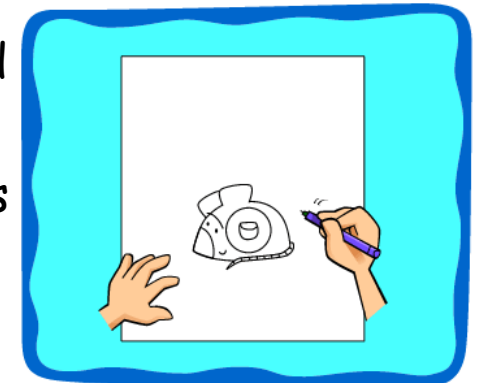
Use pre-cut feather shapes for children who can't handle scissors

Practise drawing the different elements of the chain on paper. Make sure you give them a clear outline that you can cut around.



Draw the smallest food, the hazel nut, in the food chain, and use the compasses to draw a circle around it.

Draw the mouse around this circle. Surround that with a circle of its own, and draw the owl around that.

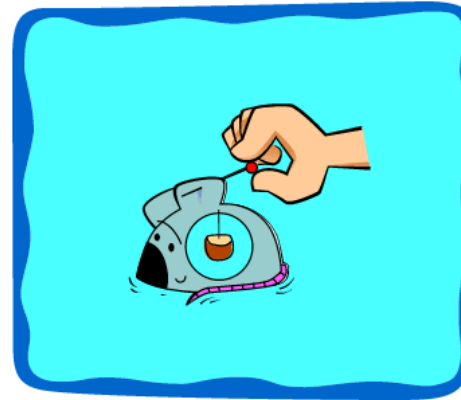






Colour your food chain in. It doesn't matter if you go over the edges because you are going to cut it out.

Cut out all the circles, and then cut around the outlines of the nut, the mouse and the owl.



Carefully pierce a hole in the top of the hazel nut, and thread string through it. Pierce another hole above the circle in the mouse and string the two together.

Use a pin to make a hole in the mouse where the mouse and nut are balanced, as in the drawing. You might need to try more than one position with the pin.

When the hole is in the right place, thread string through it.

Attach the mouse to the owl in the same way as step 6 and find the balance point with a pin. Hang up your finished mobile and watch it move in the wind.

